

**LUCCI  
AIRFUSION AKMANI  
DC CEILING FAN**

- **INSTALLATION**
- **OPERATION**
- **MAINTENANCE**
- **WARRANTY INFORMATION**

**CAUTION**  
**READ INSTRUCTIONS CAREFULLY FOR SAFE  
INSTALLATION AND FAN OPERATION.**

## CONGRATULATIONS ON YOUR PURCHASE

Congratulations on purchasing the latest in energy saving ceiling fans. This fan runs on DC (direct current) power which gives it the benefit of being super energy efficient whilst still maintaining high volume air-movement and silent operation.

Energy Saving - The DC motor is the latest technology in fan design. Its highly efficient motor saves up to 65% more energy than ceiling fans with traditional AC motors.

Silent operation – this DC fan motor is programmed with a stabilized current which efficiently reduces motor noise.

Low operating temperature – The DC power is managed effectively which brings down the motor operating temperature to less than 50degs. This results in a much cooler motor than a standard AC fan and increases the longevity of the motor.

6 speed remote control, regular AC ceiling fans usually come with only 3 speeds, this DC fan comes complete with a 6 speed remote, which gives greater choice of comfort levels.

## SAFETY PRECAUTIONS

- 1) In Europe: This appliance can be used by children aged from 8 years and above and persons with reduced physical, sensory or mental capabilities or lack of experience and knowledge if they have been given supervision or instruction concerning the use of the appliance in a safe way and understand the hazards involved. Cleaning and maintenance shall not be undertaken by children without supervision.
- 2) In Australia: The appliance is not intended for use by persons (including children) with reduced physical, sensory or mental capabilities, or lack of experience and knowledge, unless they have been given supervision or instruction concerning the use of the appliance by a person responsible for their safety.
- 3) Children should be supervised to ensure that they do not play with the appliance.
- 4) An all-pole disconnection switch must be incorporated into the fixed wiring, in accordance with local wiring rules.

### IN AUSTRALIA

#### WARNING:

**FOR SAFE USE OF THIS FAN AN ALL-POLE DISCONNECTION MUST BE INCORPORATED INTO THE FIXED WIRING IN ACCORDANCE WITH THE WIRING RULES.**

As outline in clause 7.12.2 of AS/NZS 60335-1 for meeting the minimum electrical safety of this standard.

Please note warranty will be void if installation is without a means for an all-pole disconnection incorporated in the fixed wiring in accordance



with the wiring rules.

Example: If a fan is connected to a circuit that can be isolated via an all-pole safety switch at the switchboard, then this is considered to be an all-pole disconnection to the ceiling fan electrical circuit, meeting the requirements of clause 7.12.2 of AS/NZS 60335.1.

**A single-pole switch on the active of the receiver input of remote control must also be included in the wiring, and located the same room as the ceiling fan.**

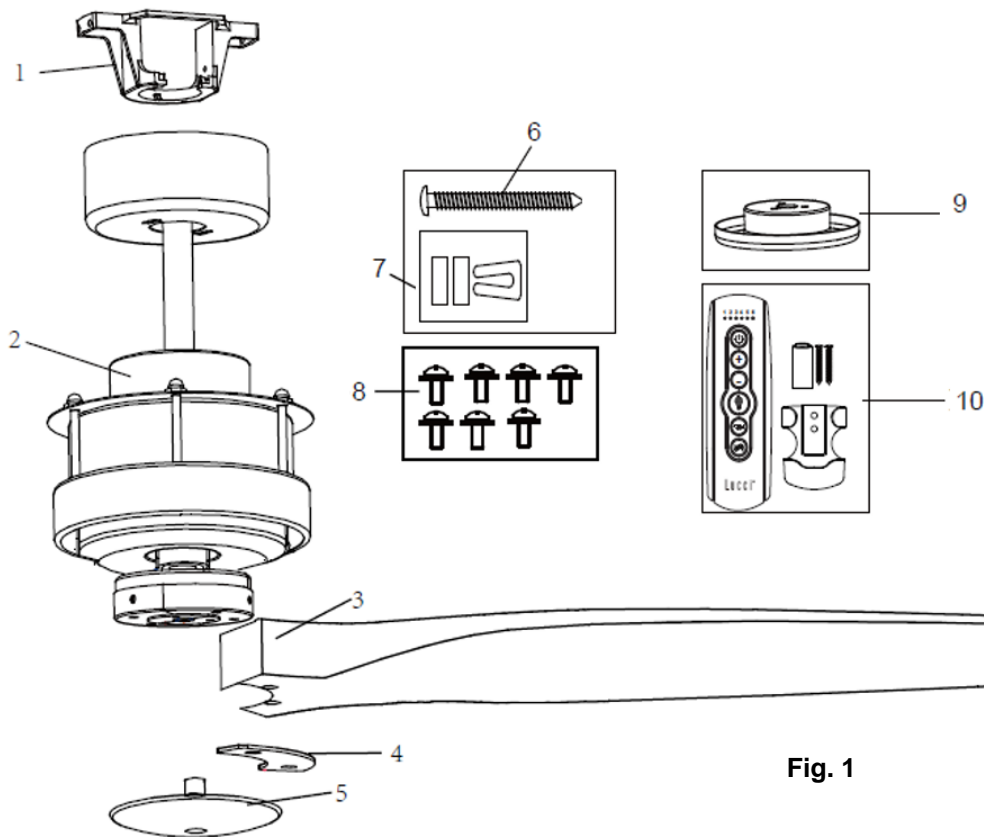


- 5) Do not dispose of electrical appliances as unsorted municipal waste, use separate collection facilities. Contact your local government for information regarding the collection systems available. If electrical appliances are disposed of in landfills or dumps, hazardous substances can leak into the ground water and get into the food chain, damaging your health and well-being.
- 6) The structure to which the fan is to be mounted must be capable of supporting a weight of 40kg.
- 7) The fan should be mounted so that the blades are at least 2.3m above the floor in Europe or 2.1m above the floor in Australia.
- 8) This fan is suitable for indoor use only. Mounting the fan in a situation where it is subject to water or moisture is dangerous.
- 9) Only an authorized electrician should execute the installation.



## BEFORE INSTALLATION

Unpack your fan and check contents. You should have the following:



**Fig. 1**

- |  |                               |
|--|-------------------------------|
| 1. Mounting bracket x 1  | 6. Wood screws x 2            |
| 2. Fan assembly with hanger cover, down rod, canopy cover and canopy x 1 | 7. Balance kits x 1 set       |
| 3. Blades x 3  | 8. Motor screws for blade x 7 |
| 4. Blade kits x 3  | 9. Light kit adaptor x 1      |
| 5. Bottom cover x 1  | 10. Remote hand set x 1 set   |



## INSTALLING THE FAN

### TOOLS REQUIRED:

- Phillips / flat head screwdriver
- Pair of pliers
- Adjustable spanner
- Step ladder
- Wire cutter
- Wiring, supply cable as required by local provincial and national wiring codes and regulations.

### INSTALLING THE MOUNTING BRACKET

The ceiling fan must be installed in a location so that the blades are 300mm spacing from the tip of the blade to the nearest objects or walls.

Secure the hanging bracket to the ceiling joist or structure that is capable of carrying a load of at least 40kg, with two long screws provided. Ensure at least 30mm of the screw is threaded into the support.

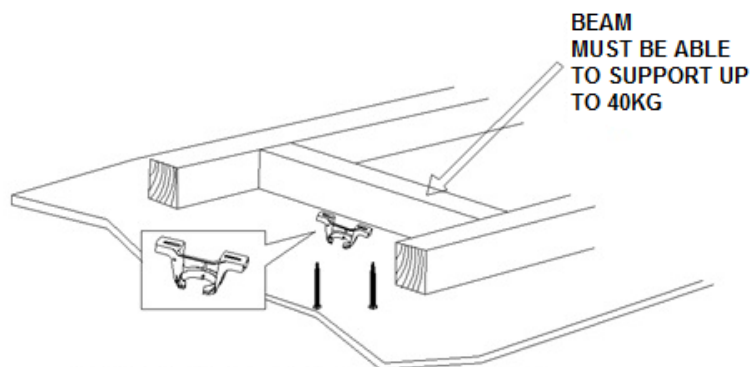


Fig. 2

**NOTE: THIS PICTURE IS FOR REPRESENTATION ONLY AND DOES NOT REPRESENT THE ACTUAL BRACKET.**

**NOTE: The bracket screws provided are for use with wooden structures only. For structures other than wood, the appropriate screw type MUST be used.**

### ANGLED CEILING INSTALLATION

This fan hanging system supports a maximum 20 degree angled ceiling installation.

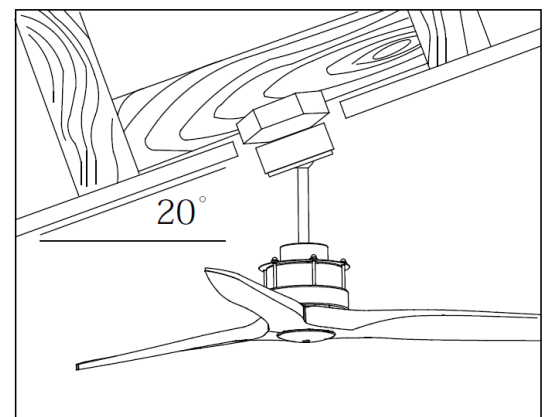


Fig. 3



# Airfusion Akmani Installation Instructions

## HANGING THE FAN MOTOR ASSEMBLY

- Lift the fan assembly onto the mounting bracket. Fig. 4
- Ensure the notch of the ball joint is positioned on the stopper of the mounting bracket to prevent the fan from rotating when in operation. Fig. 5

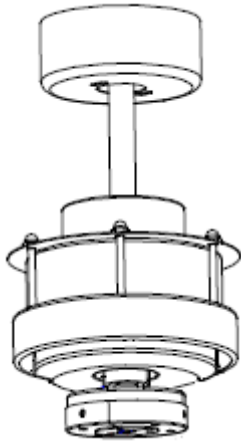


Fig. 4

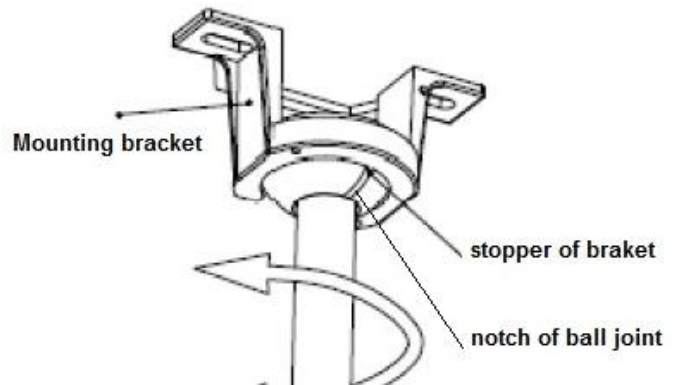


Fig. 5

## PREPARE AND COMPLETE THE ELECTRICAL WIRING --- WIRING DIAGRAM (FIG. 6)

**WARNING:** FOR YOUR SAFETY ALL ELECTRICAL CONNECTIONS MUST BE UNDERTAKEN BY A LICENSED ELECTRICIAN.

**NOTE:** AN ADDITIONAL ALL POLE DISCONNECTION SWITCH MUST BE INCLUDED IN THE FIXED WIRING. PLEASE MAKE SURE THE MAIN SWITCH HAS BEEN TURNED OFF BEFORE CONNECTING.

**NOTE:** IF THERE ARE TWO OR MORE DC CEILING FANS INSTALLED IN THE ONE LOCATION, AN ISOLATION SWITCH IS REQUIRED FOR EACH CEILING FAN. THIS IS REQUIRED WHEN PROGRAMMING THE REMOTE AND RECEIVER TO PAIR TOGETHER.

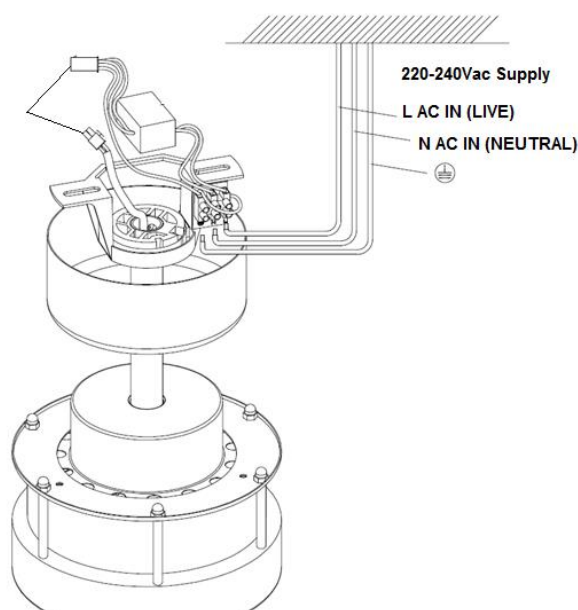


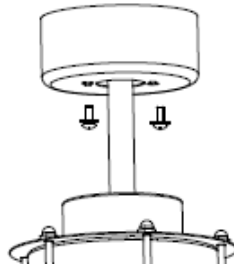
Fig. 6



# Airfusion Akmani Installation Instructions

## **INSTALL CANOPY COVER**

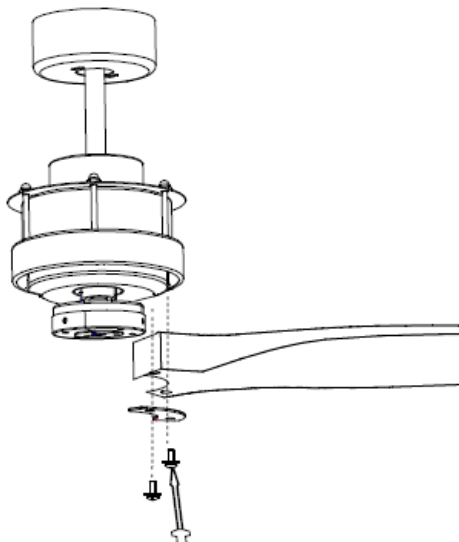
- Loosen the 2 screws from the bottom of the mounting bracket. Fig. 7
- Slide the canopy up to the mounting bracket and place the key hole on the canopy over the screw on the mounting bracket, turn the canopy until it locks in place at the narrow section of the key holes and secure it by tightening the two set screws. Avoid damaging the electrical wiring prepared previously.



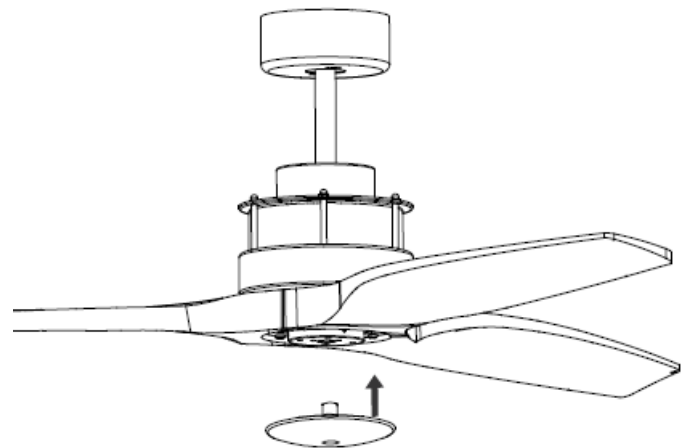
**Fig. 7**

## **BLADE INSTALLATION**

- Insert the blade screws through the blade kit and blade then secure the blade to the motor by tightening the 2 screws. Fig.8
- Repeat this process to install the other blades to the motor.
- Finally install the bottom cover to the light kit housing by rotating it clockwise. Fig. 9



**Fig. 8**



**Fig. 9**

## **LIGHT KIT INSTALLATION:** (Optional, light kit not included)

Before installing the light kit to the fan, you need to do the following:

- Do not install the bottom cover.
- Remove the bottom cover adaptor (2) from the light kit housing (1) by loosening the 3 screws (3). Fig.10
- Install the light kit adaptor (4) to light kit housing (1) by using the 3 screws (3). Fig.10
- Install the light kit to the light kit adaptor using the light kit user guide instruction.



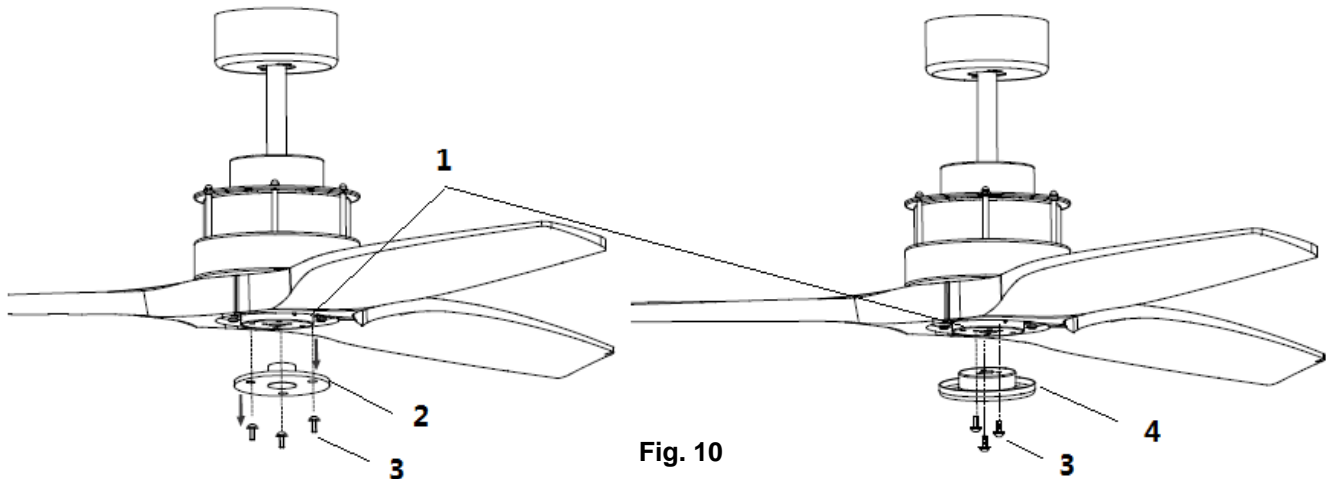


Fig. 10

### USING YOUR CEILING FAN

#### Pairing Transmitter and Receiver – when 2 or more DC ceiling fans are installed in one location

When two or more fans are located near each other, you may want to have the receiver/transmitter for each fan set to a different code, so that the operation of one fan does not affect the operation of the other fan/s.

The DIP switches for the transmitter (remote hand piece) are located in the battery compartment of the transmitter. Configuring the DIP switches will allow a unique transmission code assigned to each ceiling fan.

**NOTE:** Ensure that you have installed an all - pole disconnection switch in the fixed wiring for each fan, when using DIP code function.

**NOTE:** Ensure power to the Receiver is **ON** prior to pairing the transmitter with the receiver.

#### **Transmitter/Receiver pairing for ceiling fan 1:**


- Turn off both ceiling fans 1 and 2 via the mains supply to the receiver.
- Slide the cover of the battery compartment of the transmitter to access the DIP switches. This will be transmitter 1.
- Change the position of the DIP switches in the remote transmitter 1, so that it will be different to transmitter 2. Fig. 11
- Install the 12VDC battery in the compartment. Please make sure the polarity of the battery is correct.
- Turn on the power to receiver 1. Keep the power OFF to receiver 2. (Each ceiling fan must have its own isolation switch, so that only the ceiling fan that needs to be paired with the transmitter will be ON).
- Press and hold the “⏻” button on **transmitter 1** for 5 seconds within 30 seconds of switching the power to the receiver of ceiling fan 1.
- Once the transmitter is paired with the receiver of ceiling fan 1, it will make a beep sound twice. Turn ON/OFF or change the speed of the ceiling fan 1 by the transmitter to check the operation.





# Airfusion Akmani Installation Instructions

## Setting DC Ceiling fan 2:

- Turn off both ceiling fans 1 and 2 via the mains supply to the receiver.
- Slide the cover of the battery compartment of the transmitter to access the DIP switches. This will be transmitter 2.
- Change the position of the DIP switches in the remote transmitter 2, so that it will be different to transmitter 1. Fig. 11
- Install the 12VDC battery in the compartment. Please make sure the polarity of the battery is correct.
- Turn on the power to receiver 2. Keep the power OFF to receiver 1. (Each ceiling fan must have its own isolation switch, so that only the ceiling fan that needs to be paired with the transmitter will be ON).
- Press and hold the “” button on **transmitter 2** for 5 seconds within 30 seconds of switching the power to the receiver of ceiling fan 2.
- Once the transmitter is paired with the receiver of ceiling fan 1, it will make a beep sound twice. Turn ON/OFF or change the speed of ceiling fan 1 by the transmitter to check the operation.

**Note: The pairing of Transmitter and Receiver is not required if only one ceiling fan is installed. When more than two ceiling fans are installed near each other, please refer to the instruction above.**

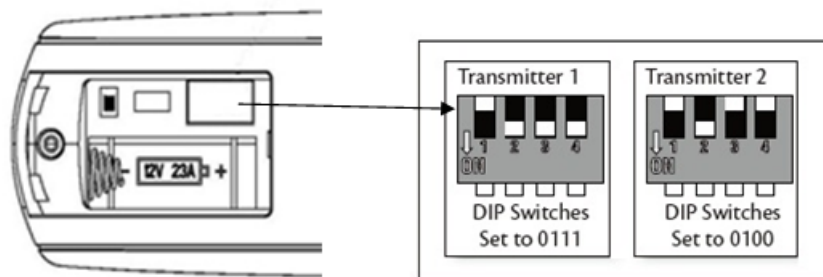


Fig. 11




# Airfusion Akmani Installation Instructions


## Remote Control Buttons

 : FAN ON/OFF BUTTON: Press the button to turn the fan on/off.

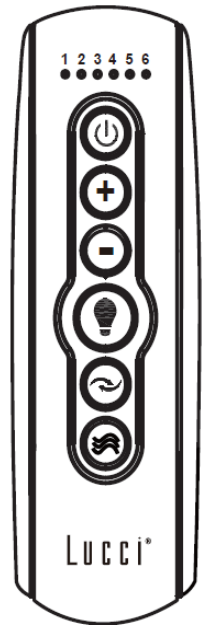
**+** : SPEED INCREASE BUTTON: Press the button to increase the fan speed. The LED indicator will indicate the fan speed (1-6 speed) accordingly.

**-** : SPEED DECREASE BUTTON: Press the button to decrease the fan speed. The LED indicator will indicate the fan speed (1-6 speed) accordingly.


 : REVERSE FUNCTION BUTTON: Press the button to activate the reverse running function. The fan must be operating to activate the reverse function.

 : NATURAL FLOW BUTTON: Press the button to set the fan running at changing speed automatically. If the fan is working at speed 1, 2, 3, then press this button to let the fan run at a lower changing speed. If the fan is working at speed 4,5,6, then press this button to let the fan run at a higher changing speed.

 : LIGHT CONTROL BUTTON: Press the button to turn on/off the light.



**Fig. 12**

When pressing the remote button, the LED indicator 1(  ) will be on. If the LED indicator 1 is off, then you need to replace the battery with a new 12VDC battery.

When pressing the remote button, if the receiver receives the signal well, it will make a beep sound.


## REPAIRING THE FAN RECEIVER & REMOTE PAIRING

Should the remote and receiver lose control after installation or during use, the pairing of the remote and the receiver must be repaired. Below are the operating symptoms and method to repair the pairing of the DC ceiling fan remote and receiver.

Issues:

- Loss of control - Fan is only running at high speed after installation
- Loss of control - No reverse function after installation
- Loss of control - Remote cannot communicate with the receiver

Solution:

- Switch off the main power to ceiling fan.
- Press and hold the  button on **transmitter** for 5 seconds within 30 seconds of switching the power to the receiver of the ceiling fan.



# Airfusion Akmani Installation Instructions

- Once the transmitter is paired with the receiver of the ceiling fan, it will make a beep sound twice. Turn ON/OFF or change the speed of the ceiling fan by the transmitter to check the operation.

## AFTER INSTALLATION

### **WOBBLE:**

**Note:** Ceiling fans tend to move during operation due to the fact that they are mounted on a rubber grommet. If the fan was mounted rigidly to the ceiling it would cause excessive vibration. Movement of a few centimeters is quite acceptable and does not suggest any problem.

**TO REDUCE THE FAN WOBBLE:** Please check that all screws which fix the mounting bracket and down rod are secure.

**BALANCING KIT:** A balancing kit is provided to balance the ceiling fan on initial installation. Please refer to the instruction on how to use the balancing kit. The balancing kit can be used to assist re-balancing should the ceiling fan become un-balanced again. Store your balancing kit away after installation for future use if required.

### **NOISE:**

When it is quiet (especially at night) you may hear occasional small noises. Slight power fluctuations and frequency signals superimposed in the electricity for off-peak hot water control, may cause a change in fan motor noise.

This is normal. Please allow a 24-hour “settling-in” period, most noises associated with a new fan disappear during this time.

The manufacturer’s warranty covers actual faults that may develop and NOT minor complaints such as hearing the motor run – All electric motors are audible to some extent.

## CARE & CLEANING

- Periodic cleaning of your ceiling fan is the only maintenance required. Use a soft brush or lint free cloth to avoid scratching the paint finish. Please turn off electricity power when you do so.
- Do not use water when cleaning your ceiling fan. It could damage the motor or the blades and create the possibility of an electrical shock.
- The motor has a permanently lubricated ball bearing. There is no need to oil.

**NOTE:** Always turn off the power at the mains switch before attempting to clean your fan.

## TECHNICAL INFORMATION

AIRFUSION AKMANI SERIES DC FAN models	Rated Voltage	Rated power (motor)	Battery for remote
60" blade fan only	220-240VAC	36W	1 x 12V 23AE



# LUCCI CEILING FAN WARRANTY DETAIL

## LUCCI WARRANTY HOTLINE- 1800 602 243

### THIS WARRANTY IS VALID IN AUSTRALIA ONLY

In the event of service being required, please call the Lucci Fan Warranty Hotline on 1800 602 243 between 9am & 5pm (EST) Monday to Friday. Please make sure you have all the ceiling fan details filled out at the end of the manual before making the call.

Every Lucci ceiling fan is thoroughly inspected and tested before being released for sale. In addition to any warranty rights or conditions under statutory regulations, Lucci warrants all of its ceiling fans against defective workmanship and faulty materials for twenty four (24) months from the date of purchase. Lucci undertakes, at its option, to repair or replace, free of charge, each product or part thereof on condition that;

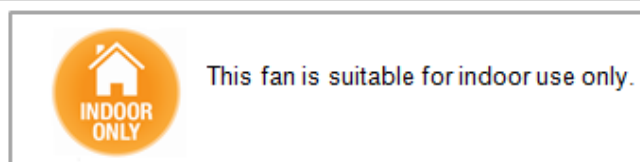
1. The fan or relevant part has not been subjected to misuse, neglect, or been involved in an accident.
2. The repairs are not required as a result of normal wear and tear.
3. The product was installed by a licensed electrical contractor.
4. A copy of the original receipt of purchase is presented.
5. 12 month warranty applies when used in any non-domestic applications.
6. This warranty does not cover stains, scratch and scuff marks, or dents if the product is purchased through a factory outlet or to refurbished items.

Our goods come with guarantees that cannot be excluded under the Australian Consumer Law. You are entitled to a replacement or refund for a major failure and compensation for any other reasonably foreseeable loss or damage. You are also entitled to have the goods repaired or replaced if the goods fail to be of acceptable quality and the failure does not amount to a major failure.

**Lucci Design cannot be held responsible for any repair other than those carried out by it or one of its Authorised Service Agents. Please keep this warranty information in a safe place. This information must be produced in the event of service being required.**

**Distributed by:**

Beacon Lighting  
 140 Fulton Drive  
 Derrimut, Victoria, 3030  
 Australia  
 Ph +613 9368 1000  
 Fax +613 9360 9332  
 Email: warranty@beaconlighting.com.au



# CEILING FAN WARRANTY INFORMATION

LUCCI WARRANTY HOTLINE- 1800 602 243

Complete and retain this form for your personal records and warranty purposes.

NAME.....

ADDRESS.....

.....POSTCODE.....

MODEL NUMBER.....

PO NUMBER or DATECODE ..... (PO# + DATECODE Sticker here)

DATE OF PURCHASE.....

INSTALLING LICENSED ELECTRICIAN.....

.....

LICENCE No.....

ATTACH PROOF OF PURCHASE HERE

